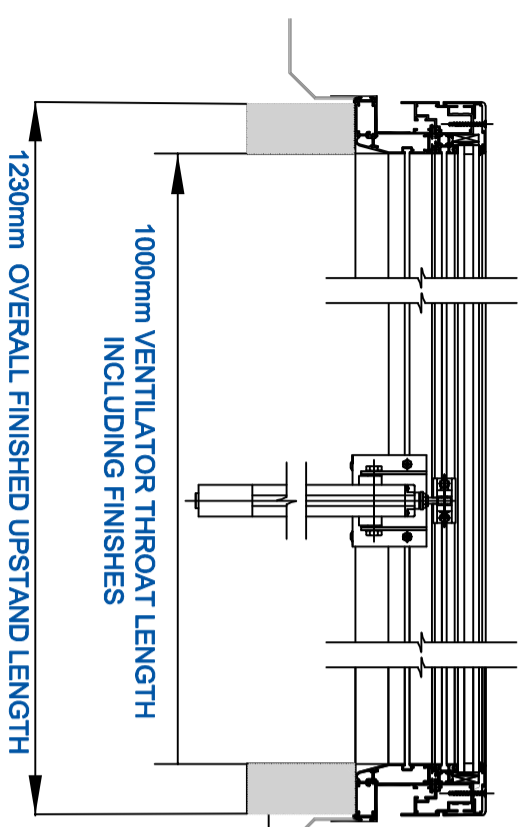


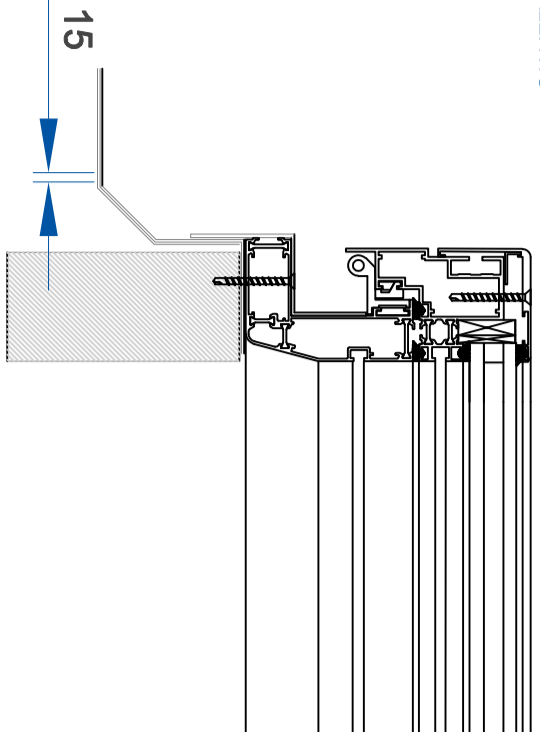
VENTRIA (SARV) to BUILDERS UPSTAND section B-B1

SCALE: NTS



VENTRIA (SARV) to BUILDERS UPSTAND section A-A1

SCALE: NTS



VENTRIA (SARV) section B-B1

SCALE: NTS

SCAPA TAPE SEAL ALL ROUND TOP OF UPSTAND TO PROVIDE ADEQUATE WEATHER PROOFING.

FIXINGS AT 350MM CENTRES FIXINGS TO SUIT UPSTAND APPLICATION

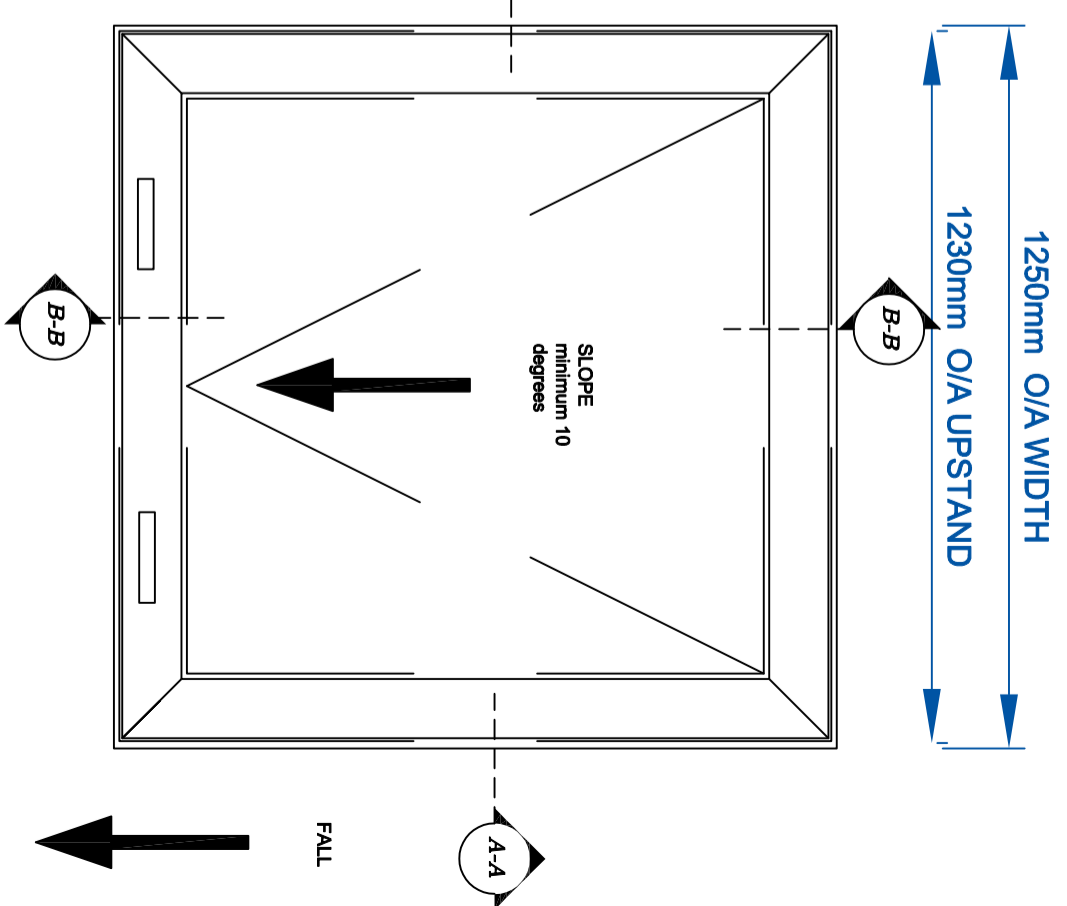
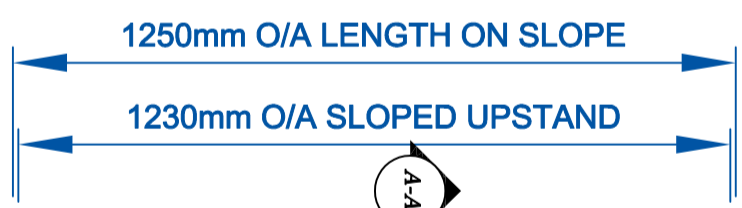
ALL ROOF WEATHERING DRESSED UP THE PERIMETER & OVER THE UPSTAND TO BE PROVIDED BY THE BUILDER.

NOTE: MINIMUM UPSTAND HEIGHT REQUIREMENT 150mm.

NOTE : TOP OF BUILDERS UPSTAND AT 10 DEGREE PITCH

BUILDERS INSULATED UPSTAND CAN BE STEEL, WOOD OR CONCRETE.

NOTE: BUILDERS UPSTAND TO BE A MINIMUM 100MM WIDE & STRUCTURAL



VENTRIA (SARV) to BUILDERS UPSTAND plan view

SCALE: NTS

- WILLIAM COX Ventria (GIRV) Specifications:**
- **Application:** To suit builders prepared upstand
 - **Description:** Opening light, suitable for ventilation purposes and smoke & heat ventilation.
 - **Operation:** Spindle Motor (M24) Stroke ****mm
 - **Frame Type:** Thermally broken aluminium
 - **Glazing Type Options:** Class Polycarbonate, Sandwich Panel Mill Finished or Polyester Powder Coated
 - **Finish:** EN 1026: 600Pa En12207: Class 4
 - **Air Tightness:** EN 1027: 600Pa, EN12208: Class E1050
 - **Water Tightness:** EN12211: 1000Pa(-P2) Deviation < 300, Strength 3000 Pa, EN 12210: Class 5
 - **Load:** EN 12101-2 Soft Body Impact Test 1200J
 - **Test(s):** EN 12101-2 Tested to 6.25m²
 - **Extra:**



NO.	REVISION	DATE

CONTRACT:			
TITLE:		WILLIAM COX VENTRIA (SARV)	
ARCHITECT:			
MAIN CONTRACTOR:			
SCALE	DWG. BY.	DWG. No.	
NTS			
DATE			
XXXXXX			
		WCL/TD/100A	



WILLIAM COX LTD.
 Unit A-F 40 Cloverhill Industrial Estate, Clondalkin, Dublin 22.
 Tel: (01) 4605400
 Email: admin@williamcox.ie
 Web: www.williamcox.com