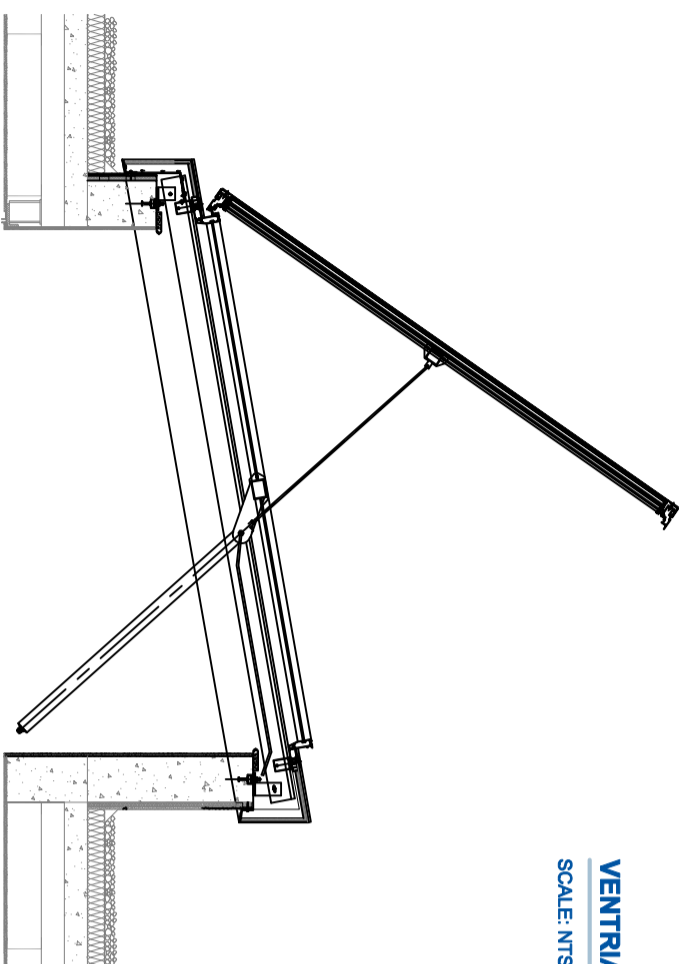
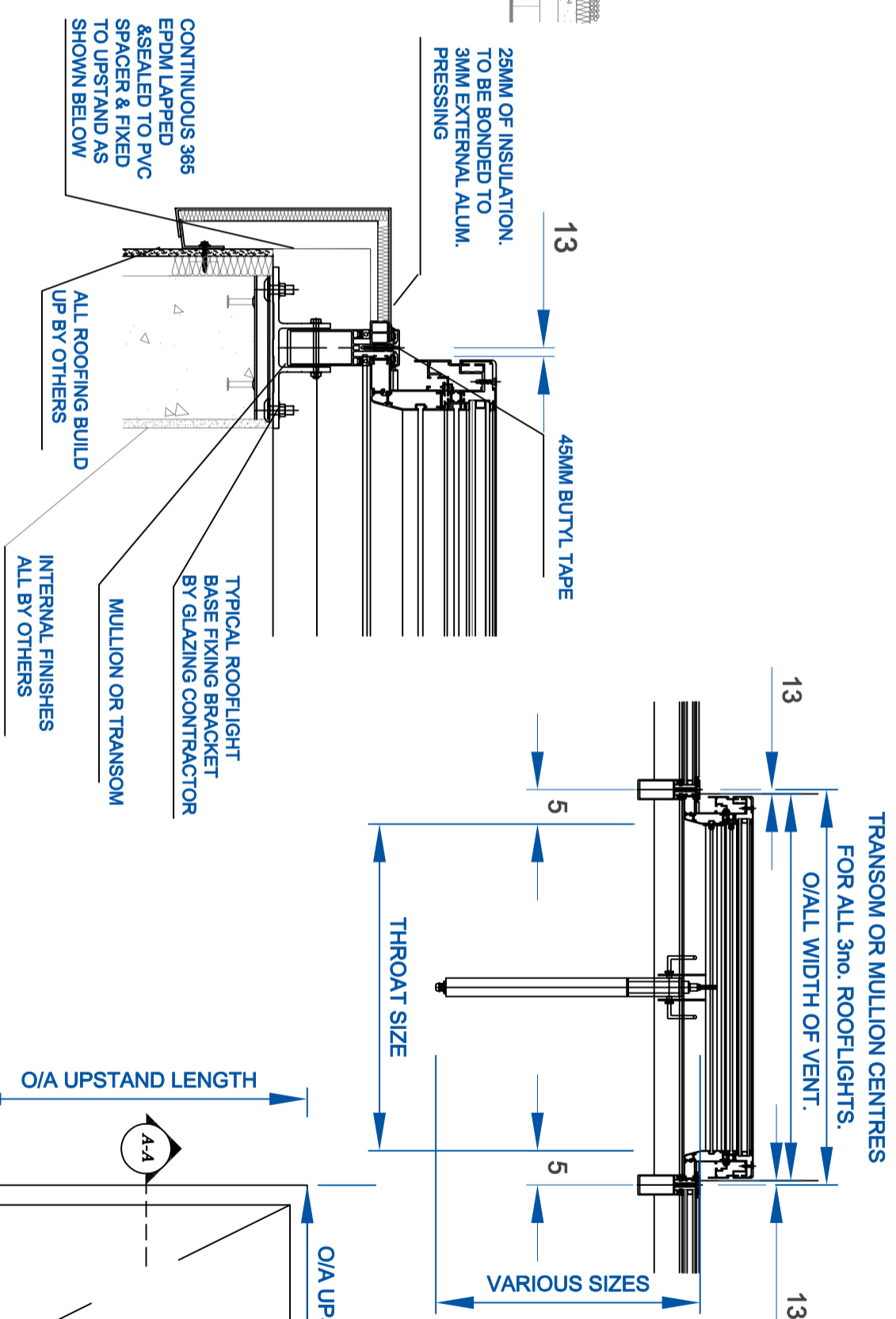


VENTRIA (GIRV) section A-A
SCALE: NTS



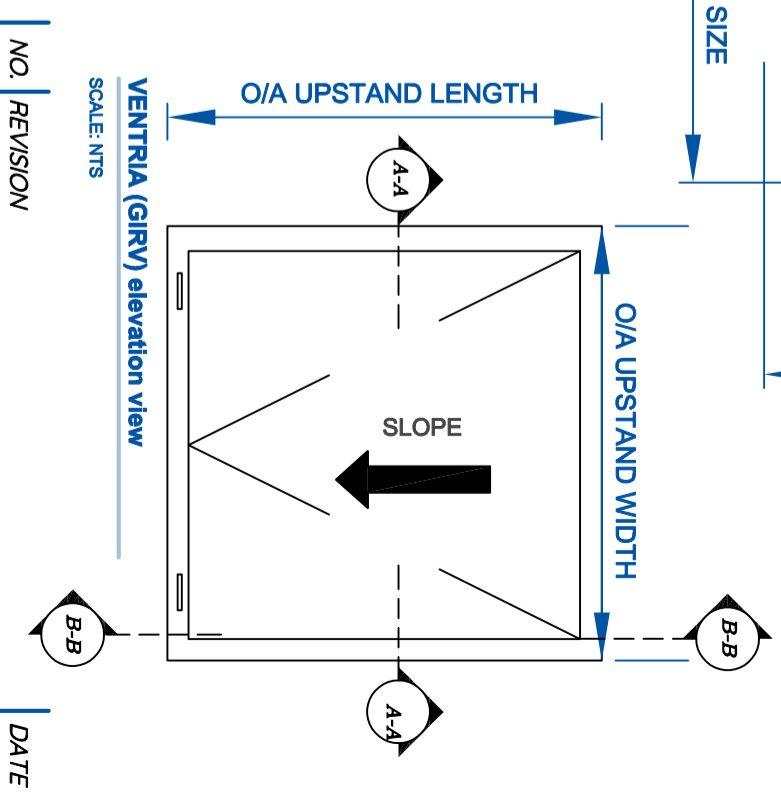
VENTRIA (SARV) section A-A (open position)
SCALE: NTS



VENTRIA (GIRV) TYPICAL MULLION DETAIL
SCALE: NTS

WILLIAM COX Optima (SARV) Specifications:

- **Application:** To be glazed into specific system
- **Description:** Opening light, suitable for ventilation purposes and smoke & heat ventilation.
- **Operation:** Spindle Motor (M24) Stroke ****mm
- **Frame Type:** Thermally broken aluminium
- **Glazing Type Options:** Glass, Polycarbonate, Sandwich Panel
- **Finish:** Mill Finished or Polyester Powder Coated
- **Air Tightness:** EN 1027: 600Pa, EN12208: Class 4
- **Water Tightness:** EN12211: 1000Pa (-P2) Deviation < 300, Strength 3000 Pa, EN 12210: Class 5
- **Test(s):** EN 12101-2 Soft Body Impact Test 1200J
- **Extra:** EN 12101-2 Tested to 6.25m²



VENTRIA (GIRV) elevation view
SCALE: NTS

NO.	REVISION	DATE

CONTRACT:		
WILLIAM COX VENTRIA (GIRV)		
ARCHITECT:		
MAIN CONTRACTOR:		
SCALE NTS	DWG. BY:	DWG. No.
DATE XXXXXX	WCL/TD/101A	

WILLIAM COX LTD.
Unit AF 40 Goverhill Industrial Estate, Clondalkin, Dublin 22.
Tel: (01) 4605400
Email: admin@williamcox.ie
Web: www.williamcox.com