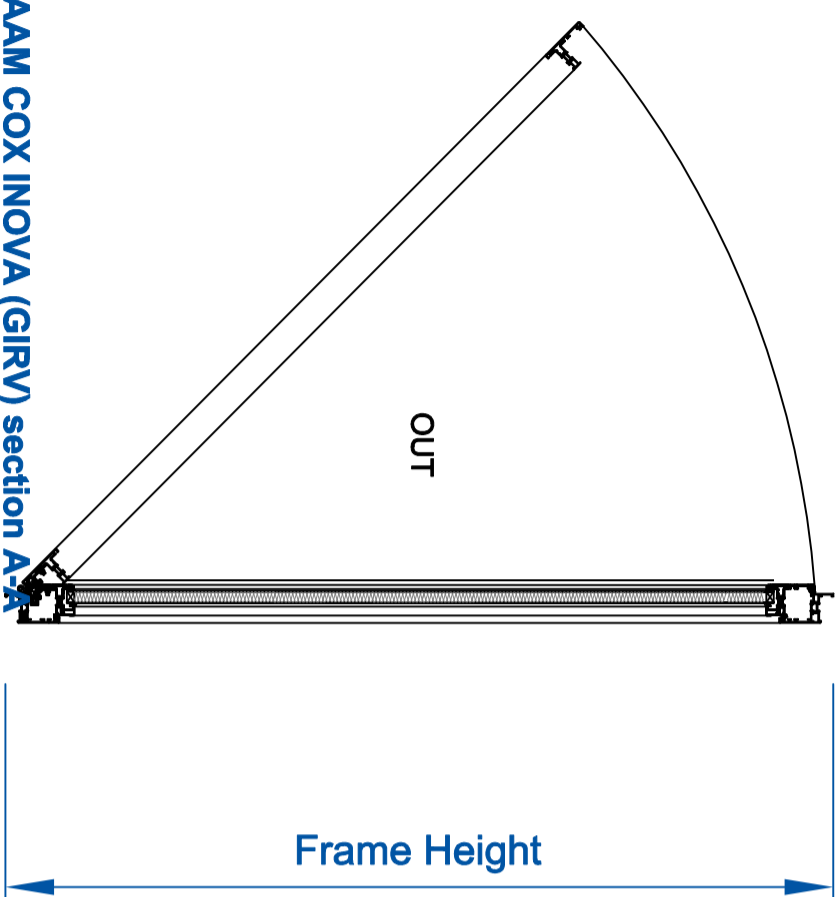


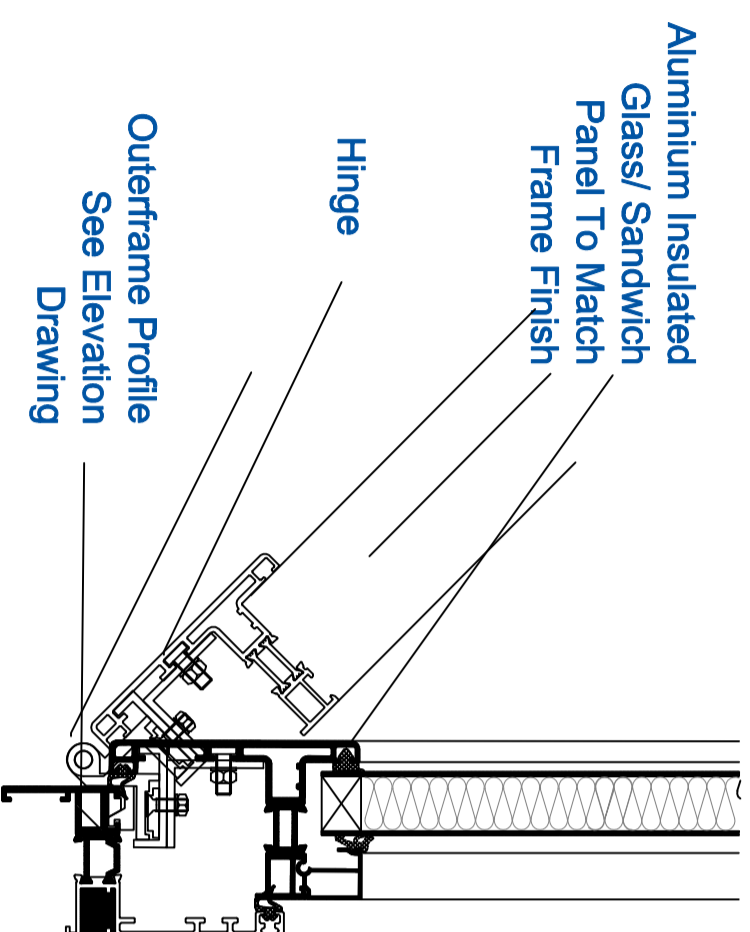
WILLIAAM COX INOVA (GIRV) elevation view

SCALE: NTS



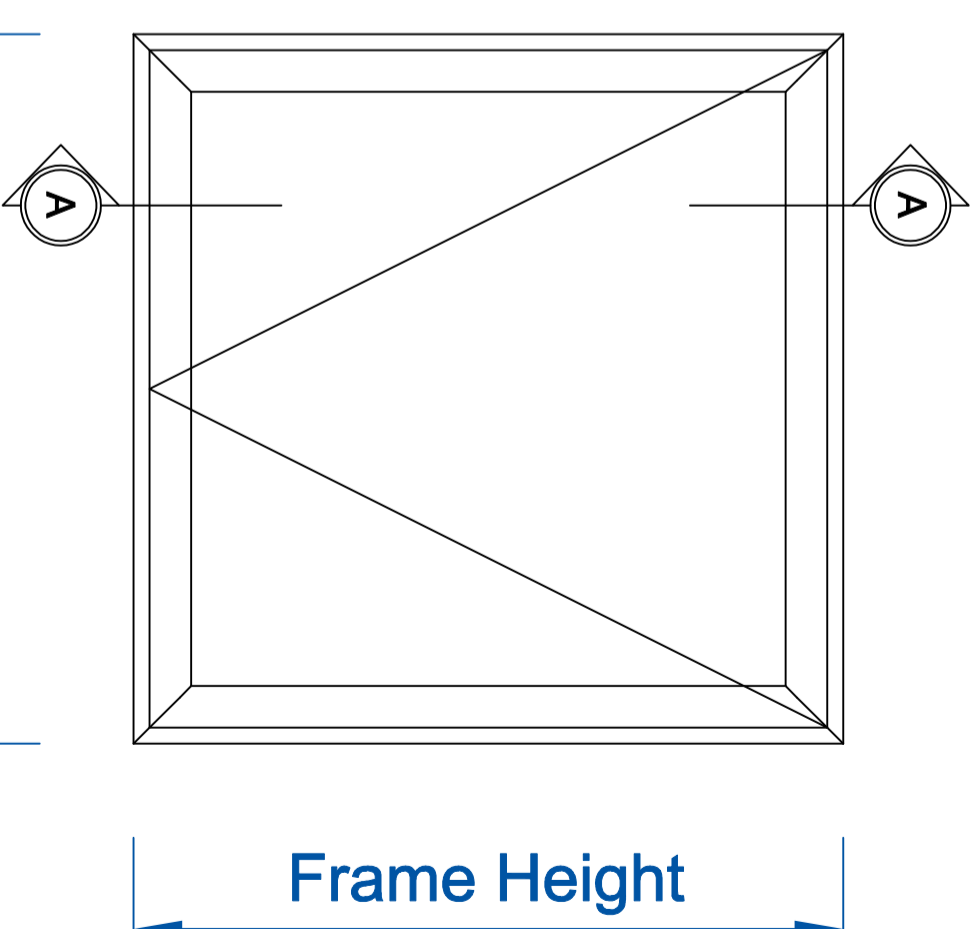
WILLIAAM COX INOVA (GIRV) section A-A

SCALE: NTS



WILLIAAM COX INOVA (GIRV) cill detail

SCALE: NTS



WILLIAAM COX Inova (GIRV) Specifications:

- **Application:** To be glazed into specific system
- **Description:** Opening light, controls completely concealed within the construction when closed, suitable for ventilation purposes
- **Frame Type:** Thermally broken aluminium
- **Glazing Type Options:** Glass, Polycarbonate, Sandwich Panel
- **Finish:** Mill Finished or Polyester Powder Coated
- **Protection:** To match glass roof construction/ to match glass wall construction/ enamel finish with *** layer polyester layer thickness***
- **Air Tightness:** EN 1026: 600Pa En12207: Class 4
- **Water Tightness:** En 1027: 600Pa, En 12208: Class 9a
- **Resistance to Varying Load:** EN12211:600Pa (=P2) Deviation ≤ 300, Strength 1800 Pa, En 12210: Class 3
- **Acoustic Values:** 36 dB with insulated glass Type 8-20-6-6.2, 36 dB with sandwich panel 40mm
- **Test(s):** EN 12101-2



NO.	REVISION	DATE

CONTRACT:		
WILLIAAM COX INOVA (GIRV)		
ARCHITECT:		
MAIN CONTRACTOR:		
SCALE:	DWG. BY:	DWG. No.
NTS		
DATE:		
XXXXXX		
		WCL/TD/120A



WILLIAAM COX LTD.
 Unit A-F 40 Cloverhill Industrial
 Estate, Clondalkin, Dublin 22.
 Tel: (01) 4605400
 Email: admin@williamcox.ie
 Web: www.williamcox.com