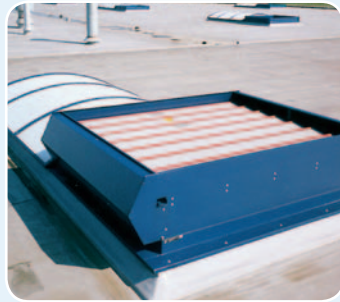




COX DOME Brakel® Eura-R



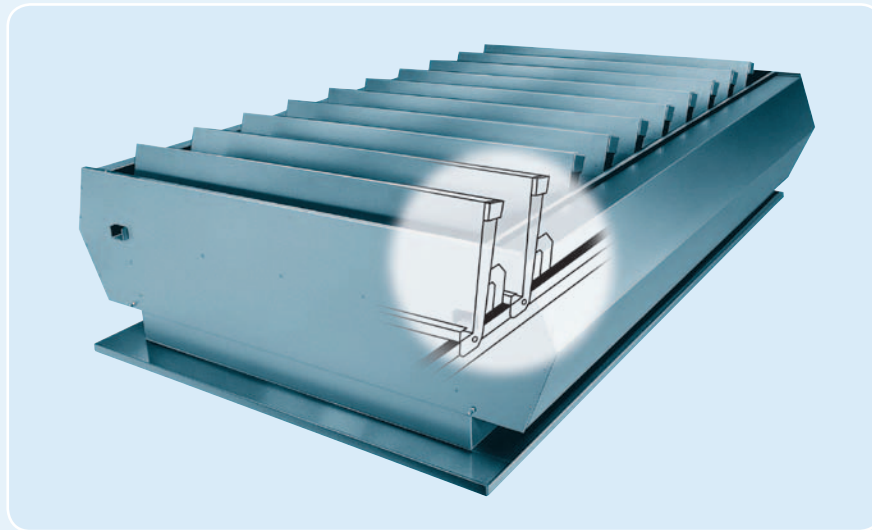
Louvered ventilator with rain-proof side blades

The Eura-R is a variation of the standard Eura and is designed to incorporate rainproof side blades. The Eura-R is therefore ideal for all-weather day-to-day ventilation.

The structure has integrated rain gutters for controlled water drainage.

Like the Eura this product can be customised with a variety of base and flange designs.

Applications: atria, shopping centres, industrial buildings, train stations and ports.



Materials

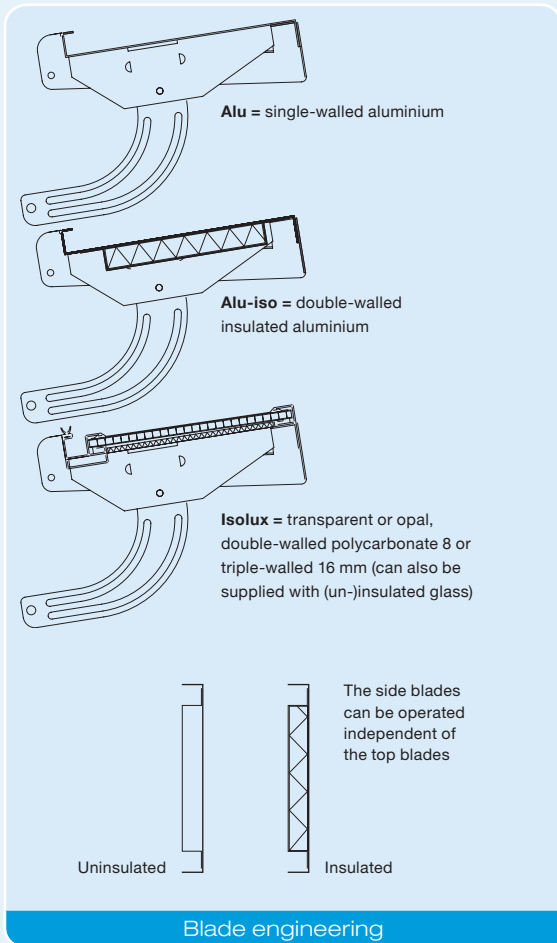
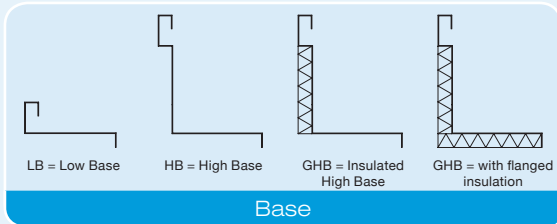
Aluminium; tempered, sea water- and corrosion-resistant AlMg3. Corrosion-resistant bearings. Seal incorporating a weather-resistant sealing strip longitudinally and energy strips. The seal is applied in such a manner that there is no risk of freezing and a high level of draft-proofness is guaranteed. The aluminium is completely corrosion-resistant and is supplied untreated as standard. If desired the Eura-R can be supplied in an anodised or powder-coated design (in any RAL colour you require). The Eura-R can also be designed to incorporate noise-damping wings and bird or insect mesh.

Controls

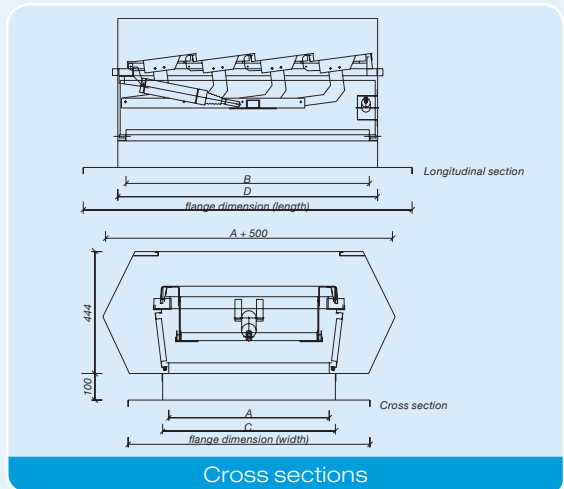
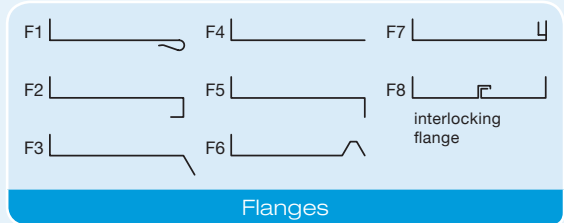
- P** single-action compressed air operation
- P2** double-action compressed air operation
- M** motor operation
- K** cable operation
- Extras: **B** including fire function
- FS** failsafe

Regulations

The system is tested and certified in accordance with EN 12101-2.



Type	Clear width in mm				Aerodynamic surface (m ²)		Weight Kg
	LB/GHB		HB		LB/GHB	HB	
	A	B	C	D			
060 - 3	600	720	640	760	0,26	0,29	36
060 - 4	600	940	640	980	0,34	0,38	40
060 - 5	600	1160	640	1200	0,42	0,46	44
060 - 6	600	1380	640	1420	0,50	0,55	49
060 - 7	600	1600	640	1640	0,58	0,63	53
060 - 8	600	1820	640	1860	0,66	0,71	58
060 - 9	600	2040	640	2080	0,73	0,80	62
060 - 10	600	2260	640	2300	0,81	0,90	67
060 - 11	600	2480	640	2520	0,89	0,98	71
060 - 12	600	2700	640	2740	0,79	1,05	76
060 - 13	600	2920	640	2960	1,05	1,14	80
120 - 3	1200	720	1240	760	0,52	0,57	50
120 - 4	1200	940	1240	980	0,68	0,73	57
120 - 5	1200	1160	1240	1200	0,84	0,89	64
120 - 6	1200	1380	1240	1420	0,99	1,06	70
120 - 7	1200	1600	1240	1640	1,15	1,22	77
120 - 8	1200	1820	1240	1860	1,31	1,38	83
120 - 9	1200	2040	1240	2080	1,47	1,57	90
120 - 10	1200	2260	1240	2300	1,65	1,74	96
120 - 11	1200	2480	1240	2520	1,82	1,91	103
120 - 12	1200	2700	1240	2740	1,94	2,04	109
120 - 13	1200	2920	1240	2960	2,10	2,20	116
180 - 3	1800	720	1840	760	0,78	0,84	66
180 - 4	1800	940	1840	980	1,02	1,08	75
180 - 5	1800	1160	1840	1200	1,25	1,32	84
180 - 6	1800	1380	1840	1420	1,49	1,57	93
180 - 7	1800	1600	1840	1640	1,73	1,84	102
180 - 8	1800	1820	1840	1860	1,97	2,09	111
180 - 9	1800	2040	1840	2080	2,24	2,33	120
180 - 10	1800	2260	1840	2300	2,48	2,53	129
180 - 11	1800	2480	1840	2520	2,72	2,83	138
180 - 12	1800	2700	1840	2740	2,92	3,02	147
180 - 13	1800	2920	1840	2960	3,15	3,27	156



For further information, go to our website: www.brakel.com